



SPARE PARTS EXPLODED VIEW STORAGE ELECTRIC WATER HEATERS

Model

ECO

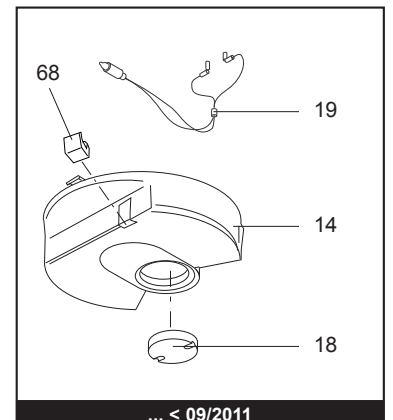
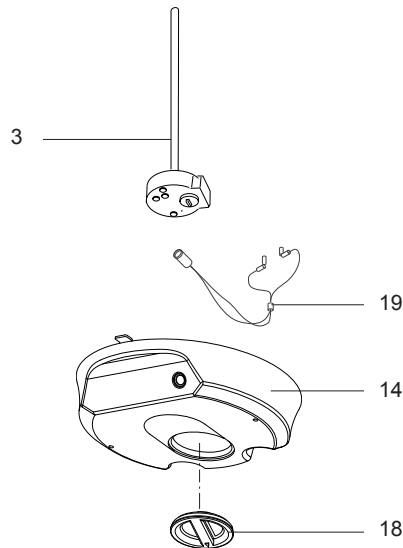
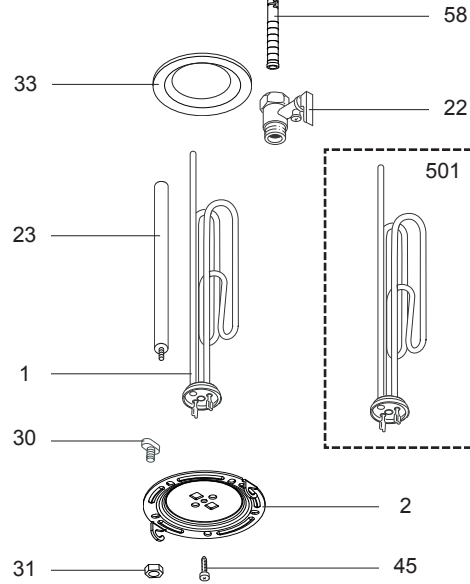
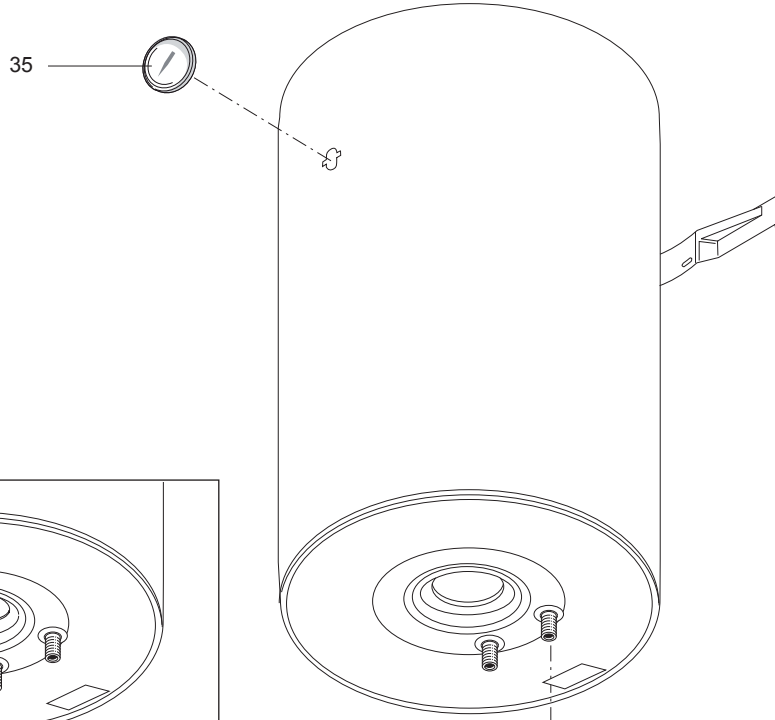
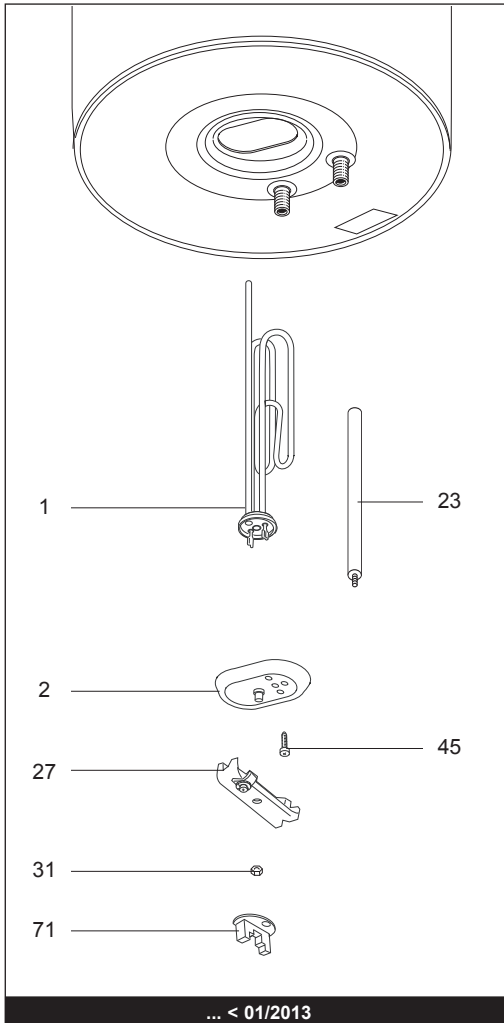
R8215353-06 - 06/07/2015

ECO

Storage Electric Water Heaters

1	869823	3050 ECO	06-2001	04-2006
1	869824	3080 ECO	06-2001	04-2006
2	869826	5050 ECO	06-2001	04-2006
2	869827	5080 ECO	06-2001	04-2006
3	3200193	ECO 50 V	12-2005	-
4	3200940	ECO 50 V EU	07-2015	-
5	3200194	ECO 80 V	12-2005	-
6	3200941	ECO 80 V EU	07-2015	-
7	3200196	ECO 50 VR/5	12-2005	-
8	3200943	ECO 50 VR/5 EU	07-2015	-
9	3200197	ECO 80 VR/5	12-2005	-
10	3200944	ECO 80 VR/5 EU	07-2015	-

Col	Reference	Model type	Begin	End
-----	-----------	------------	-------	-----



LIST OF THE ABBREVIATIONS

HW	: Hot water.
CW	: Cold water.
C	: Ceramic resistance (normal heating).
Ca	: Ceramic resistance (accelerated heating)
TP	: Immersion heater.
1F	: With fittings.
2F	: Without fittings.
3F	: With fittings and another outlet connection.
AMI	: With mixing valve.
SMI	: Without mixing valve.
PUISS	: Power of th appliance.
PN	: Appliance with normal pression.
LP	: Appliance with low pression.
PV	: Appliance with variable power.
PF	: Appliance with fixed power.

IDENTIFICATION PLATE

SERIAL NUMBER

